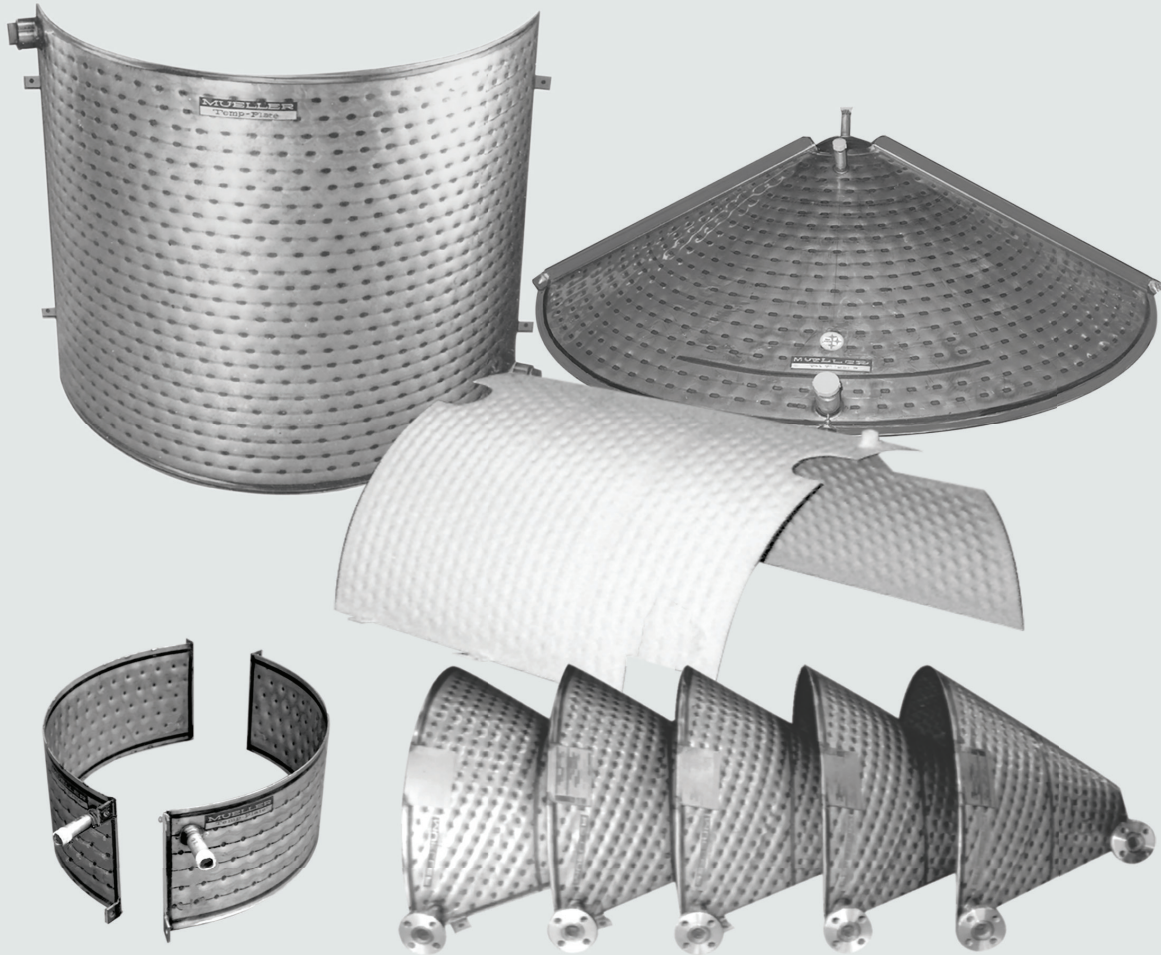


Temp-Plate® Clamp-On Sections

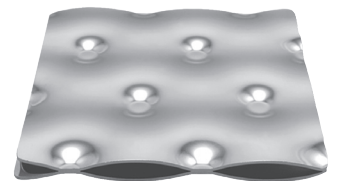


The Easy, Economical, and Effective Solution for Temperature Maintenance

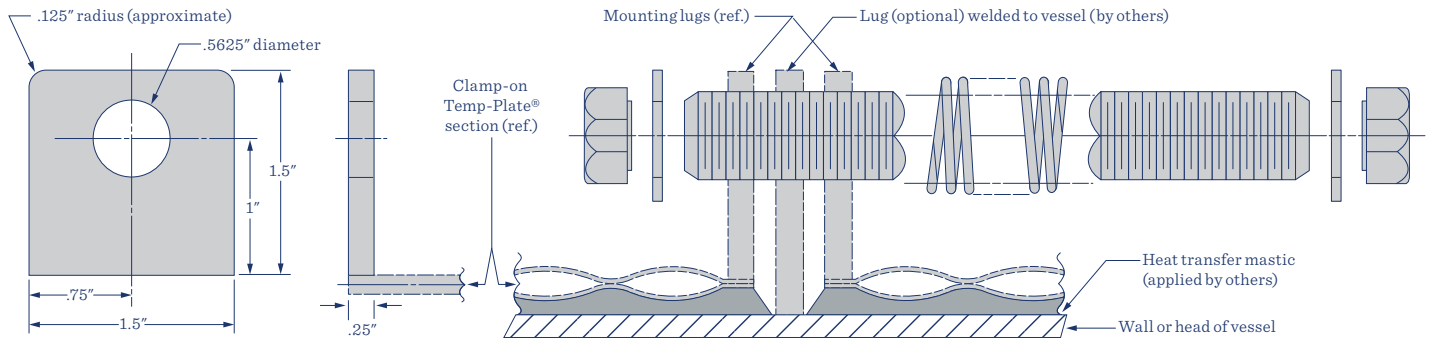
Our double-embossed Temp-Plate® clamp-on sections are easy to install on existing tanks or equipment and are an economical, effective way to retrofit heating or cooling for temperature maintenance.

A notable advantage of the double-embossed surface is its inherently turbulent design. The efficient heat transfer design promotes a turbulent flow path that is conducive to the most effective heat transfer.

Testing has shown that our double-embossed Temp-Plate clamp-on sections outperform single-embossed clamp-on sections.



MUELLER



Typical Installation

Our Temp-Plate double-embossed clamp-on heat transfer surface is recommended for maintaining temperatures. Approximately .125" thick heat transfer mastic film must be applied between the clamp-on and equipment wall for maximum heat transfer with clamp-on sections. Heat transfer mastic is available through Paul Mueller Company. One gallon of heat transfer mastic will cover about 12 to 14 ft² of surface when used with Mueller double-embossed clamp-on sections.

Features and Benefits

- Easy to install on existing tanks or equipment.
- Fits odd shapes and sizes.
- Available with cutouts to fit existing inlets/outlets, control fittings, and braces.
- Available in stainless and carbon steel.
- Use with most heat transfer mediums.
- Manufactured to close tolerance fits.
- ASME Code stamping available.