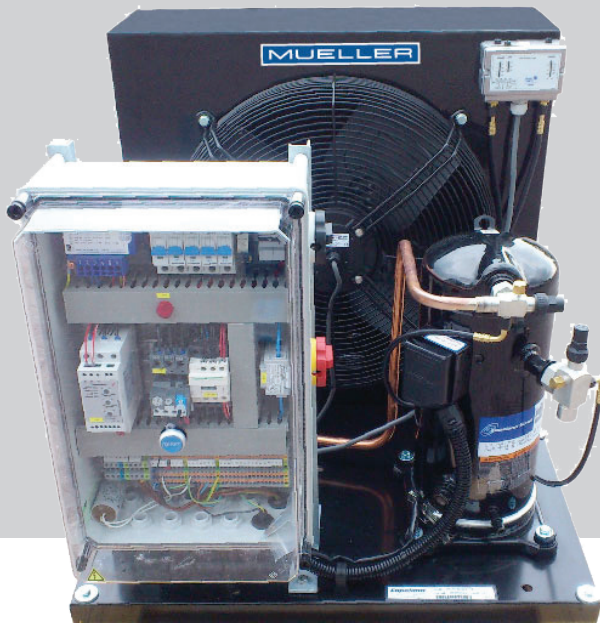


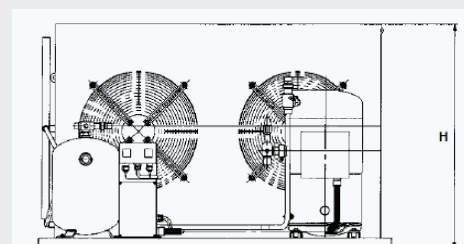
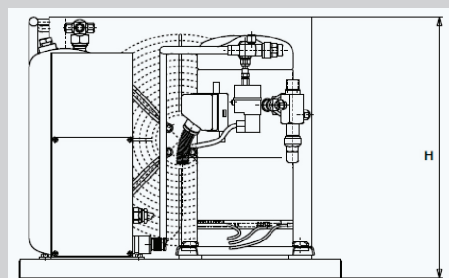
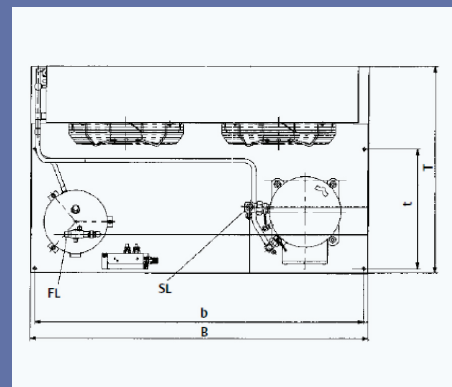
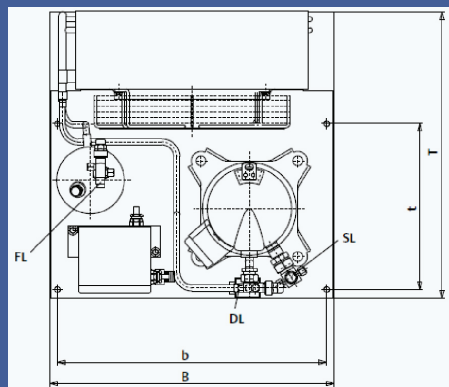


CONDENSING UNIT



Scroll
with built-on control panel





Available in the following types:

Type	Dimensions			Anchoring holes b x t mm	Fan		Net weight KG
	Width (B) mm	Depth (T) mm	Height (H) mm		Number	Mod	
MC-H8-ZB15	735	680	533	700 x 370	1	271	72
MC-H8-ZB19	735	680	533	700 x 370	1	271	76
MC-H8-ZB21	735	680	533	700 x 370	1	271	76
MC-M8-ZB26	735	730	708	700 x 390	1	271	77
MC-M8-ZB30	735	730	708	700 x 390	1	271	78
MC-M9-ZB38	735	730	708	700 x 390	1	271	79
MC-M9-ZB45	735	730	708	700 x 390	1	611	96
MC-S9-ZB45	1130	680	708	1095 x 350	2	271	107
MC-S9-ZB58	1130	820	708	1095 x 475	2	271	194
MC-V9-ZB66	1330	820	835	1295 x 475	2	271	176
MC-V6-ZB76	1330	820	835	1295 x 475	2	611	287
MC-V6-ZB92	1330	820	835	1295 x 475	2	611	298
MC-W9-ZB92	1640	820	869	1606 x 475	2	611	267
MC-W9-ZB114	1640	820	869	1606 x 475	2	611	307

Up to and including 6HP, 1 fan.
From 6,5HP en larger, 2 fans.

New ENERGY EFFICIENT Mueller Scroll condensing unit (suitable for high ambient temperatures) with built-on control panel.

- Pattedented **Mueller** Scroll compressor.
- Built-on control panel with safetydevivces.
- Emergency loop circuit.
- Fully automatic self-regulating fan control.
- Built-in 24 Volt control.

Mueller
T: +31 592 361 600
E: info@paulmueller.com
W: en.paulmueller.com